

Sarix Value 2 Series Dome and Bullet

2 MP

5 MP

5-YEAR WARRANTY

The Sarix Value 2 Series Dome and Bullet Cameras bring security back to the basics, offering a budget-friendly solution to fill coverage gaps, without compromising quality. With essential features at an affordable price, the Value 2 Series is a perfect choice for those looking for a no-frills approach to security.



Features



Essential quality, wallet-friendly price

Don't let budget constraints limit your security. The Sarix Value 2 Series makes security accessible to all, at an affordable price - without compromising on quality.



Easily connect to protect

Eliminate the stress that comes from your security setup. Install and activate your Value 2 Series camera on your existing VMS with ease.



Never miss a moment

Outages can leave your site vulnerable. Protect your security with uninterrupted operations even during power disruptions.



Focus on what matters most

This camera provides necessary alerts, notifying you if someone enters the scene or attempts to tamper with the device, keeping your security simple and focused on what truly matters.



Security that shines

Use the camera's built-in white light¹ to deter unwanted activity and enhanced recognition for your security teams.

For more information visit pelco.com

¹ Available on select bullet and dome cameras.

Specifications

Image Performance		2MP	5MP
Image Sensor		1/2.8" CMOS	
Imaging Area (Diagonal)		6.45 mm	6.53 mm
Aspect Ratio		16:9	4:3
Dynamic Range	WDR Off	Up to 80 dB	
	WDR On	Up to 120 dB	
Active Pixels (H x V)		1937 x 1097	2608 x 1960
Max Frame Rate		(50Hz/60Hz): 25fps/30fps	(50Hz/60Hz): 20fps
Streaming Resolutions	(16:9)	1920 x 1080, 1280 x 720, 640 x 360, 512 x 288	2560x1440, 1920x1080, 1280x720, 640x360, 640x360, 512x288
	(4:3)	1600 x 1200, 1440 x 1080 1280 x 960, 768 x 576, 640 x 480, 384 x 288, 368 x 264	2592 x 1944, 2048 x 1536, 1792 x 1344, 1280 x 960, 768 x 576, 640 x 480, 384 x 288, 368 x 264
Bandwidth Management		SmartCodec technology; Dynamic GOP	
3D Noise Reduction Filter		Yes	
Signal-to-Noise Ratio(SNR)		> 50 dB	

Lens and IR Illumination	2MP Outdoor Dome & Bullet	2MP Indoor Dome	5MP Outdoor Dome & Bullet
Lens focal length (EFL)	Wide: 2.7 mm Tele: 13.5 mm	2.8mm Fixed	Wide: 2.7 mm Tele: 13.5 mm
IR Illumination (high power 850 nm LEDs)	30 m	20 m	30 m
White Light Illumination	25 m	-	25 m
Minimum Illumination Without IR	Color mode: 0.06 lux BW mode: 0.02 lux	Color mode: 0.03 lux BW mode: 0.01 lux	Color mode: 0.3 lux BW mode: 0.1 lux
Horizontal Angle of View Based on Aspect Ratio	(16:9) Wide: 111°, Tele: 33°	(16:9) 104°	(16:9) Wide: 103°, Tele: 32°
Vertical Angle of View Based on Aspect Ratio	(16:9) Wide: 57°, Tele: 19°	(16:9) 56°	(16:9) Wide: 74°, Tele: 24°
Max Aperture	F1.4	F1.6	F1.4
Lens Control	Remote Zoom and Focus, Autofocus, IR Cut Filter		

Image Control	
Image Compression Method	H.264, H.265, Motion JPEG, Pelco Smart Compression
Streaming	Multi-stream H.264, Multi-stream H.265, Motion JPEG
Motion Detection	Pixel motion: Selectable sensitivity and threshold.
Tamper Detection	Yes
Electronic Shutter Control	Automatic, Manual (1/2 to 1/32000 sec), Shutter-Priority: (1/2 to 1/10000 sec)
Iris Control	Fixed (Indoor Dome), P-Iris (Outdoor Dome and Bullet)
Day/Night Control	Automatic, Color, Monochrome

Image Control	
Flicker Control	60 Hz, 50 Hz
White Balance	Automatic, Manual
Backlight Compensation	Adjustable
Image Rotation	0°, 90°, 180°, 270° including Corridor Mode
Privacy Zones	Up to 8 zones

Network	
Network	100Base-T/TX, auto sensing
Cabling	CAT5e or better
Connector	RJ-45
ONVIF	ONVIF® compliance Profile S, Profile T, Profile M and Profile G (www.onvif.org)
Security	Password protection, HTTPS encryption, digest authentication, WS authentication, user access log, 802.1x port based authentication, SSL Encryption, Secure Boot
Protocols	IPv6, IPv4, HTTP, HTTPS, DNS, NTP, RTSP, RTCP, RTP, RTMP, TCP, UDP, IGMP, ICMP, DHCP, Zeroconf, ARP, uPnP, DDNS, FTP, SFTP, SSH,TLS/TTLS, SNMP,QOS
Streaming Protocols	RTP/UDP, RTP/UDP multicast, RTP/RTSP/TCP, RTP/RTSP/HTTP/TCP, RTP/RTSP/HTTPS/TCP, HTTP
Device Management Protocols	SNMP v2c, SNMP v3

Peripherals	
Onboard Storage	MicroSD/microSDHC/microSDXC slot - Class V10 or better recommended. 1TB Card Tested
USB Port	Micro USB

Mechanical	Outdoor Dome	Indoor Dome	Bullet
Dimensions (LxWxH), Camera Assembly	128 mm (5.4 in) x 128 mm (5.4 in) x 113.4 mm (4.47 in)	109.2 mm (4.29 in) x 111.5 mm (4.38 in) x 120.6 mm (4.73 in)	191.4 mm (75.35 in) x 84.9 mm (33.42 in) x 78.3 mm (30.82 in)
Weight, Camera	636 g	273 g	540 g
Dome Bubble	Polycarbonate		
Body	Aluminum alloy	Polycarbonate	Aluminum alloy
Housing	Aluminum alloy	Polycarbonate	Aluminum alloy
Finish	Powder coat, close to Pantone 427C		
Adjustment Range	Pan: 360°, Azimuth: 360°, Tilt: 0° – 75° tilt (recommended), 0° – 90° ±175° pan, ±90° tilt, ±175° azimuth tilt (maximum)		

Electrical	
Power Consumption	<12.95W
Power Source	PoE: IEEE 802.3af Class 3, 12VDC Aux
Power Switching	Stateless
Memory	512MB RAM, 256MB Flash

Environmental	Outdoor Dome	Indoor Dome	Bullet
Operating Temperature	-10°C to +60°C (14°F to 140°F)	0°C to +50°C (32°F to 122°F)	-10°C to +60°C (14°F to 140°F)
Startup Temperature	-10°C to +70°C (14°F to 158°F)	0°C to +50°C (32°F to 122°F)	-10°C to +60°C (14°F to 140°F)
Absolute Maximum Temperature	60°C (140°F)	50°C (122°F)	60°C (140°F)
Storage Temperature	0 - 95% non-condensing	-40°C to +60°C (-40°F to 140°F)	-40°C to +60°C (-40°F to 140°F)
Humidity	0 - 95% non-condensing	90% non-condensing	90% non-condensing

Certifications	Outdoor Dome	Indoor Dome	Bullet
Certifications / Directives	UL, cUL, CE, ROHS, RCM, UKCA, NOM, KC, BIS, CMIM		
Safety	UL 62368-1, CSA 62368-1, IEC/EN 62368-1 IEC 62471		
Environmental	IEC 60529 IP66, IP67 rating IEC/EN 62262 impact IK10 (Enclosure), IK09 (Bubble)	IEC 60529 IP42 rating	IEC 60529 IP66, IP67 rating IEC/EN 62262 impact IK10 (Enclosure), IK08 (Arm)
Electromagnetic Emissions	FCC Part 15, SubPart B (Class B) IC ICES-003 (Class B) EN 55032 (Class B) EN 61000-6-3 EN 61000-3-2 EN 61000-3-3		
Electromagnetic Immunity	EN 55035 EN 61000-6-1		
Warranty	Limited 5 Year Warranty		

Analytics Specifications

Supported Analytics Events	
Motion Detection	The event is triggered when an object moves into the region of interest.
Sabotage Motion	The event is triggered when the scene unexpectedly changes.
Adaptive Motion	The event is triggered when an objects has crossed the directional beam that is configured over the camera's field of view. The beam can be unidirectional or bidirectional.
Direction Violated	The event is triggered when an object moves in the prohibited direction of travel.
Object Left / Removed	The event is triggered when the object moves into or leaves the region of interest.
Camera Automation	SD Card Storage, FTP, White Light, Email, Text Overlay, HTTP Generic Event
Analytics Schedules	The event is triggered based on the configured schedule.

Supported VMS*	
VideoXpert	Yes
Milestone	Yes
Genetec	Yes

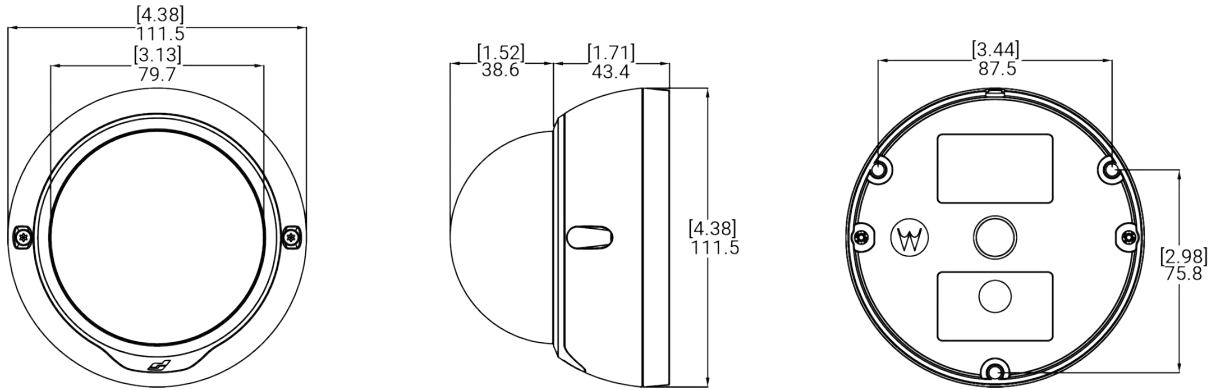
*Please refer to the VMS supported device list on the VMS website to confirm the supported VMS version and the supported camera firmware.

Outline Dimensions

Indoor Dome Camera with Surface Mount

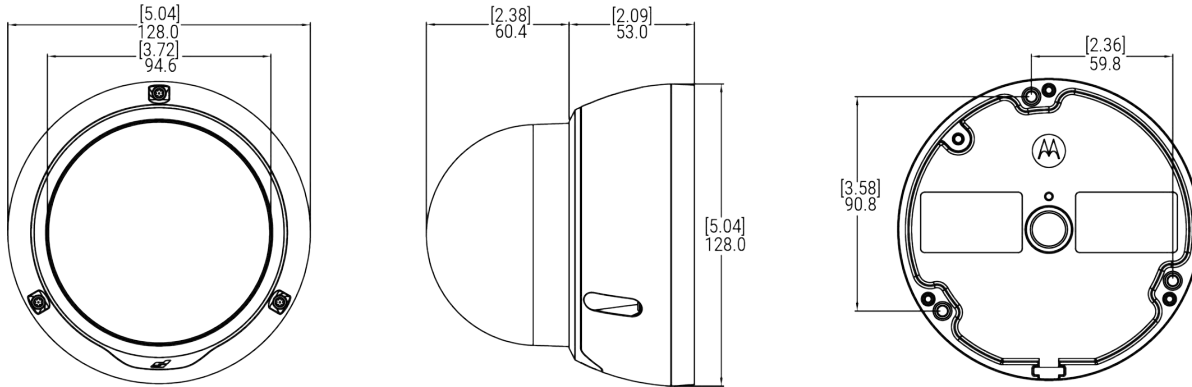
(SRXV2 Indoor Dome camera + provided surface mount)

[X.X]	INCHES
X	MM



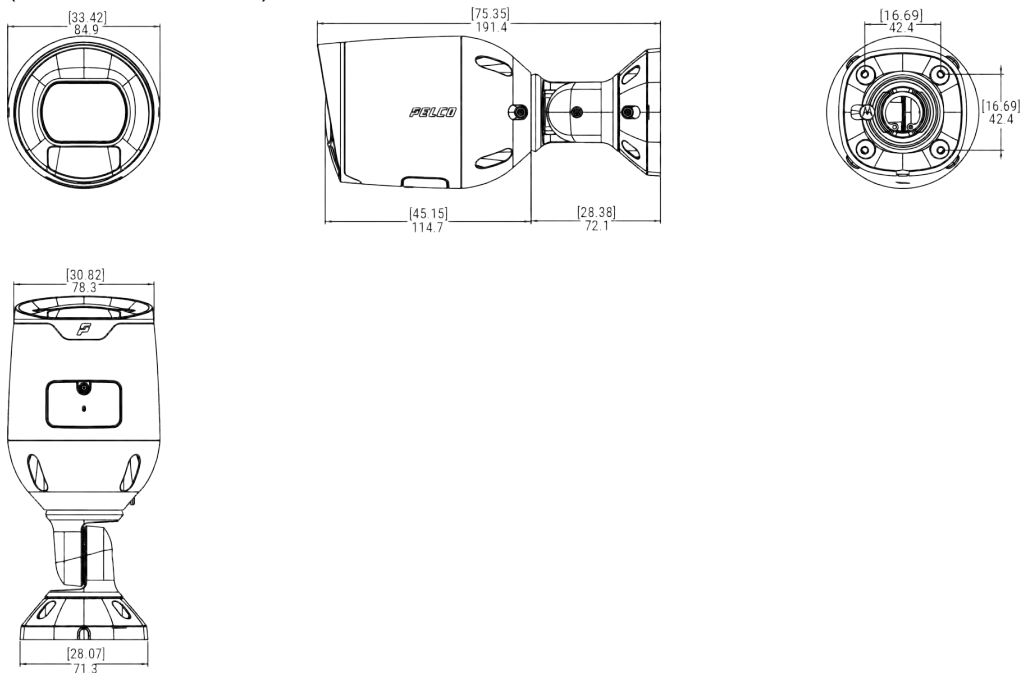
Outdoor Dome Camera with Surface Mount

(SRXV2 Outdoor Dome camera + provided surface mount)



Bullet Camera

(SRXV2 Bullet camera)



Ordering Information

Dome and Bullet Cameras

Model Number	Description	Resolution (MP)	Lens	WDR	IR	White Light	Outdoor
SRXV2-2F3-IMD-IR	Sarix Value 2 Indoor Dome	2.0	Fixed 2.8mm	√	√	—	—
SRXV2-2V13-EMD-IR	Sarix Value 2 Outdoor Dome	2.0	Varifocal 2.7-13.5mm	√	√	—	√
SRXV2-5V13-EMD-IR	Sarix Value 2 Outdoor Dome	5.0	Varifocal 2.7-13.5mm	√	√	—	√
SRXV2-2V13-EMD-IRWL	Sarix Value 2 Outdoor Dome	2.0	Varifocal 2.7-13.5mm	√	√	√	√
SRXV2-2V13-EBT-IR	Sarix Value 2 Bullet	2.0	Varifocal 2.7-13.5mm	√	√	—	√
SRXV2-5V13-EBT-IR	Sarix Value 2 Bullet	5.0	Varifocal 2.7-13.5mm	√	√	—	√
SRXV2-2V13-EBT-IRWL	Sarix Value 2 Bullet	2.0	Varifocal 2.7-13.5mm	√	√	√	√

Accessories

Model Number	Description	Outdoor Dome	Indoor Dome	Bullet
SRXV2-CRNMT-1001	Corner Mount Adapter	√	√	—
SRXV2-PLMT-1001	Pole Mount Adapter	√	√	—
SRXV2-LMT-1001	L Mount	√	√	—
SRXV2-WMT-1001	Wall Mount	√	√	—
SRXV2-SLD-1001	Sunshield (Outdoor Dome)	√	—	—
SRXV2-SLD-1002	Sunshield (Bullet)	—	—	√
SRXV2-JBX-1001	Junction Box	—	√	—
SRXV2-JBX-1002	Junction Box	—	—	√
SRXV2-JBX-1003	Junction Box	√	—	—
SRXV2-FCMNT-1002	Flush Mount	√	√	—
SRXV2-PDMT-1001	Pendant Mount	√	√	—
SRXV2-ADPT-1001	Adapter Plate (Outdoor Dome)	√	—	—
SRXV2-PDCP-1001	Pendant Cap (Outdoor Dome)	√	—	—

Support

Learn more and find additional documentation at pelco.com or email support@pelco.com for specific product support.



Mar 2025 | C504S | Rev

© 2025, Motorola Solutions, Inc. All rights reserved. MOTOROLA, MOTO, MOTOROLA SOLUTIONS, and the Stylized M Logo are trademarks or registered trademarks of Motorola Trademark Holdings, LLC and are used under license. Pelco, the Pelco logo, and other trademarks associated with Pelco products referred to in this publication are trademarks of Pelco, Inc. or its affiliates. All other product names and services are the property of their respective companies. Product specifications and availability are subject to change without notice.